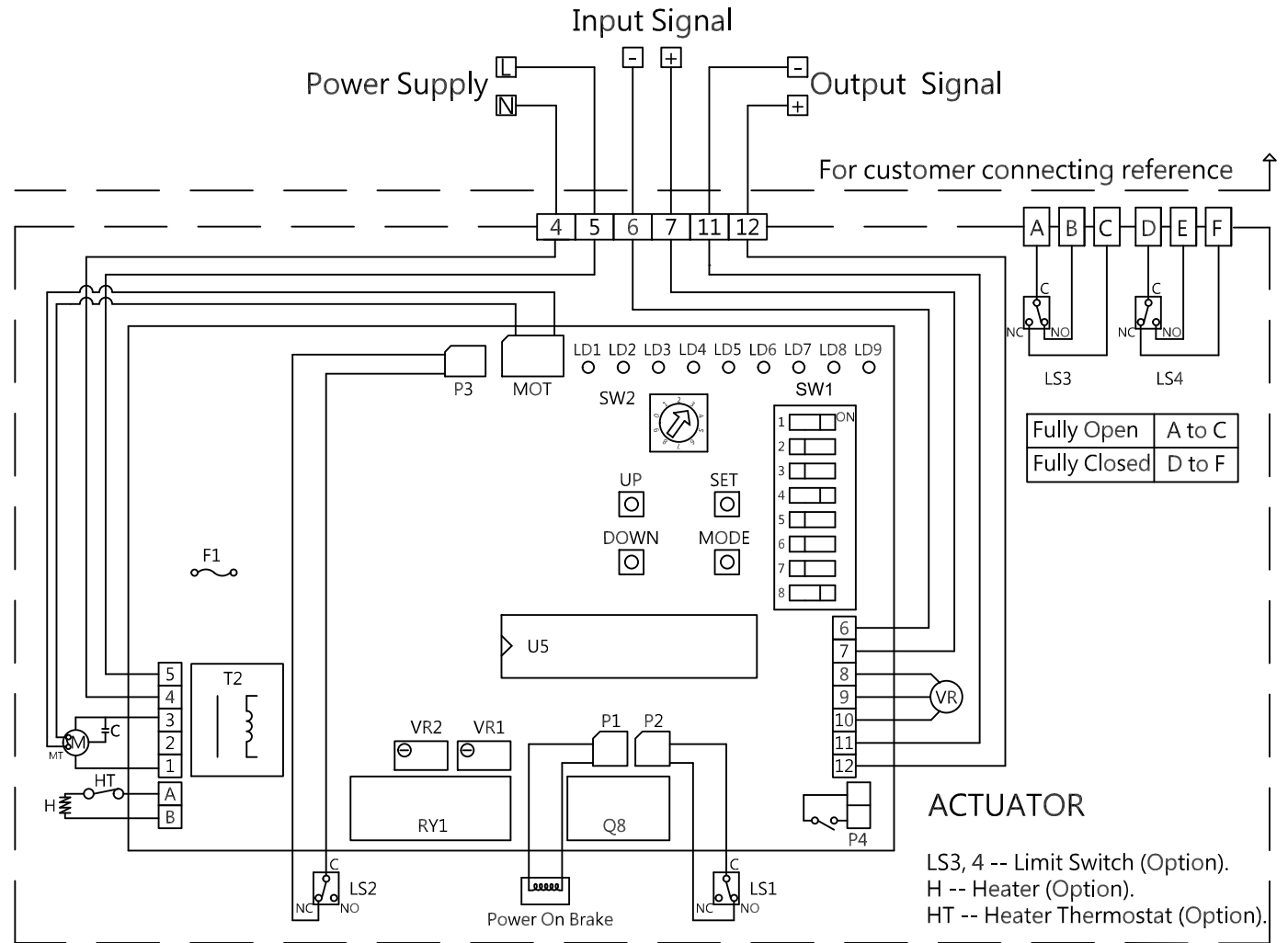


Note:

- (1). Input Signal: 4~20mA, 2~10V, 1~5V.
- (2). Output Signal: 4~20mA, 2~10V.
- (3). Using less than 5A current for "A,B,C,D,E,F".
- (4). P4 will come on when the actuator doesn't operate after 15sec.



Wiring Diagram NO: 02-001-17-02-03-02-3-001

Rev	1.0	Signature		Date		S500 Power Supply : 110~120VAC 1-Phase Modulating Control 50% Duty Cycle
Designed						
Drawn		Wen Yao		2018/08/02		
Checked		Ming Hung		2018/08/15		
Approved						



SUN YEH ELECTRICAL IND. CO., LTD.
TEL: +886-4-2698-5666
FAX: +886-4-2698-1188