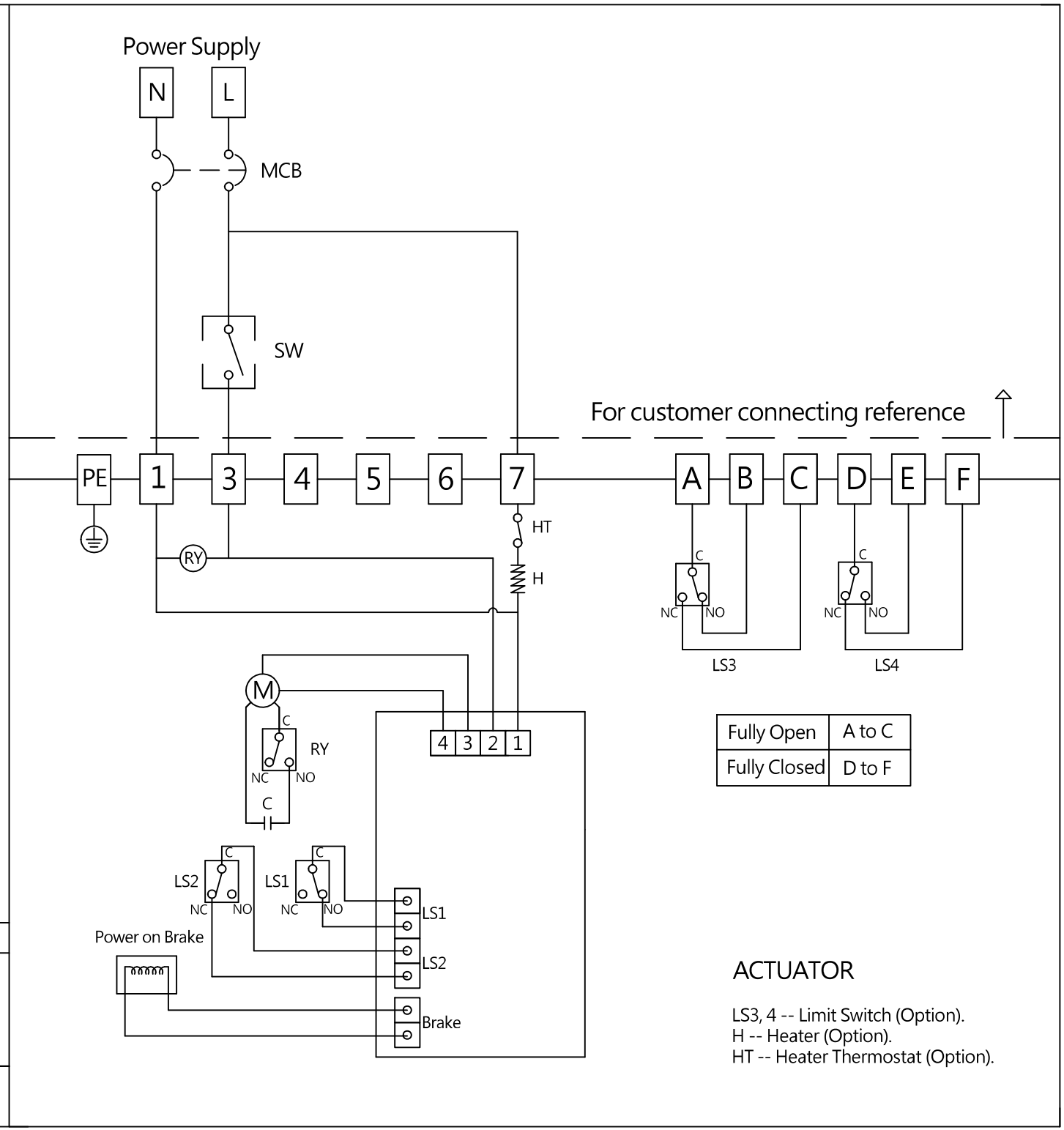


Note:

- (1). The input power "N" needs to be connected to terminal 1.
The input power "L" needs to be connected to terminal 3 via a switch (SW).
The drive runs when the switch (SW) is turned ON.
The spring returns when the switch (SW) is turned OFF.
When the heater is selected, the input power "L" needs to be connected to terminal 7.
- (2). The terminal block "A B C D E F" needs to use resistive load and should not exceed 5A at 250VAC.



Wiring Diagram NO: 02-001-17-02-01-32-3-041

Rev	1.0	Signature	Date	S500
Designed				Power Supply : 110~120VAC 1-Phase
Drawn	Ming Hung	2021/01/12		ON/OFF Control
Checked	Ming Hung	2021/01/12		2020 type
Approved				30% or 50% Duty Cycle



SUN YEH ELECTRICAL IND. CO., LTD.
TEL: +886-4-2698-5666
FAX: +886-4-2698-1188