

Note:

- "N" connects to terminal 1.
"L" connects to terminal 7.
- "L" connects to terminal 3 for "OPEN".
"L" connects to terminal 4 for "CLOSE".
- The terminal block "A~F" needs to use resistive load and should not exceed 5A at 250V.
- BM2 could not install torque switches.
- Do not parallel wire multiple actuators together without using an extra relay. Otherwise, please add Isolating Relay Module into actuator.

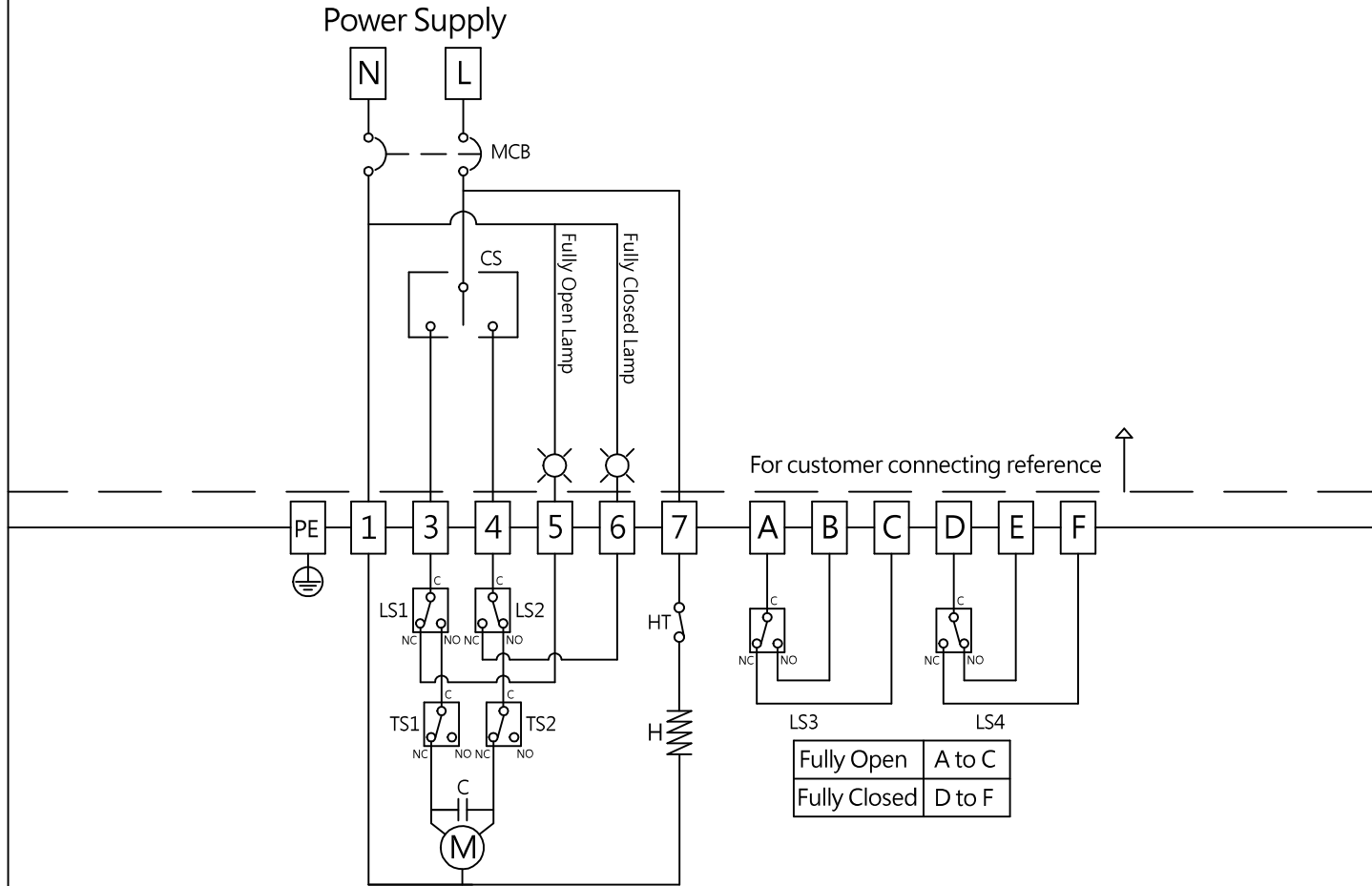
Symbol	Contact	Position	
		Fully Open(CCW)	Fully Closed(CW)
LS2	COM-NC	-----●-----	-----●-----
LS2	COM-NO	-----●-----	-----●-----
LS4	COM-NC	-----●-----	-----●-----
LS4	COM-NO	-----●-----	-----●-----
LS1	COM-NC	-----●-----	-----●-----
LS1	COM-NO	-----●-----	-----●-----
LS3	COM-NC	-----●-----	-----●-----
LS3	COM-NO	-----●-----	-----●-----
TS1	COM-NO	Short Circuit: Torque overload in open direction	
	COM-NC	Short Circuit: Normal load in open direction	
TS2	COM-NO	Short Circuit: Torque overload in close direction	
	COM-NC	Short Circuit: Normal load in close direction	

Wiring Diagram NO: 01-030-17-02-02-01-3-001

Rev	1.1	Signature	Date	OM2~OM13、OMF、OMG、OMH、BM2 Power Supply: 110~120VAC 1-Phase Floating Control 30% Duty Cycle
Designed				
Drawn	Ming Hung	2021/08/26		
Checked	Ming Hung	2021/08/26		
Approved				



SUN YEH ELECTRICAL IND. CO., LTD.
 TEL: +886-4-2698-5666
 FAX: +886-4-2698-1188



ACTUATOR

- LS3,4 -- Limit Switch.
- TS -- Torque Switch.
- H -- Heater.
- HT--Heater Thermostat.
- MCB -- Miniature Circuit Breaker.
- CS -- Selector Switch.
- M -- Motor.
- C -- Capacitor.