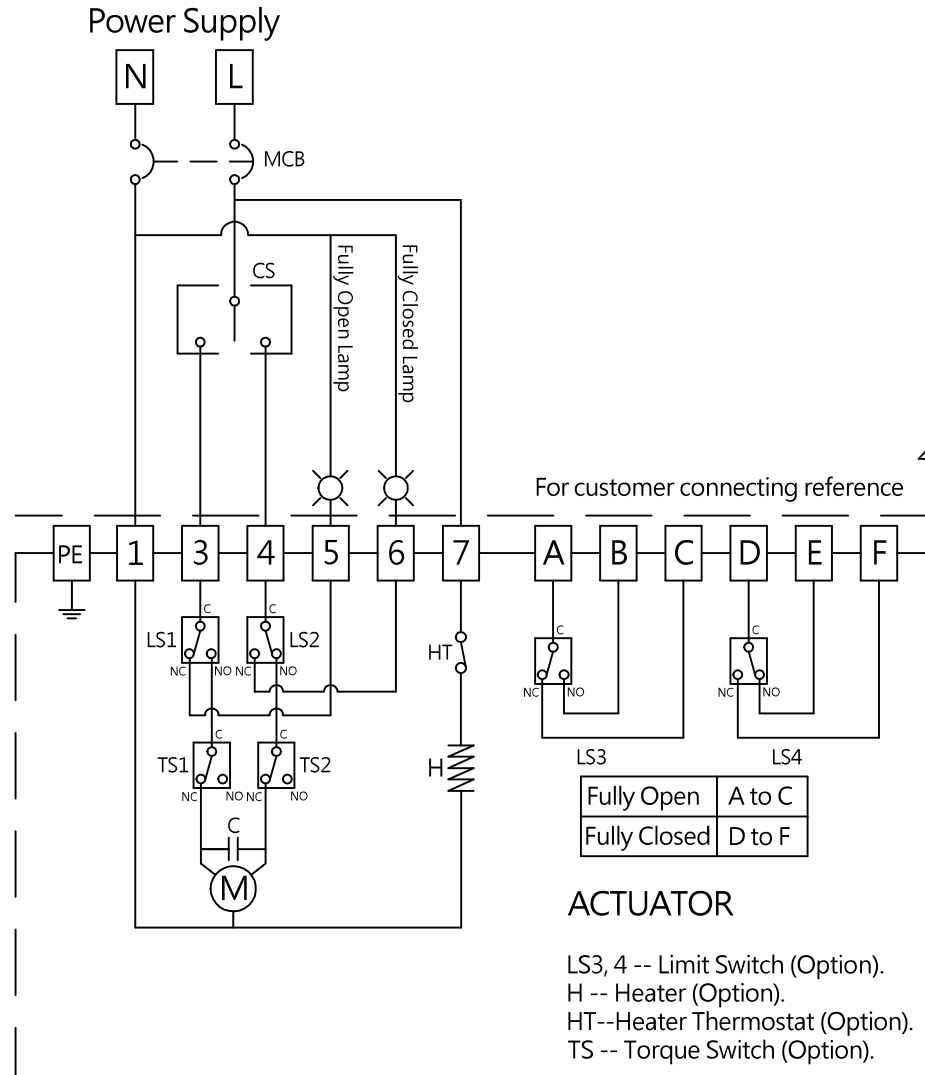


Note:

- (1). "N" connects to 1, "L" connects to 7.
- (2). "L" connects to 3 for "OPEN", "L" connects to 4 for "CLOSE".
- (3). Using less than 5A current for "A,B,C,D,E,F".
- (4). BM2 could not install torque switches.
- (5). Do not parallel wire multiple actuators together without using an extra relay. Otherwise, please add Isolating Relay Module into actuator.



Wiring Diagram NO: 01-030-18-02-02-01-3-001

Rev	1.0	Signature	Date	OM2~OM13、OMF、OMG、OMH、BM2 Power Supply: 220~240VAC 1-Phase Floating Control 30% Duty Cycle
Designed				
Drawn	Guan Wei	2018/08/02		
Checked	Ming Hung	2018/09/01		
Approved				



SUN YEH ELECTRICAL IND. CO., LTD.
 TEL: +886-4-2698-5666
 FAX: +886-4-2698-1188