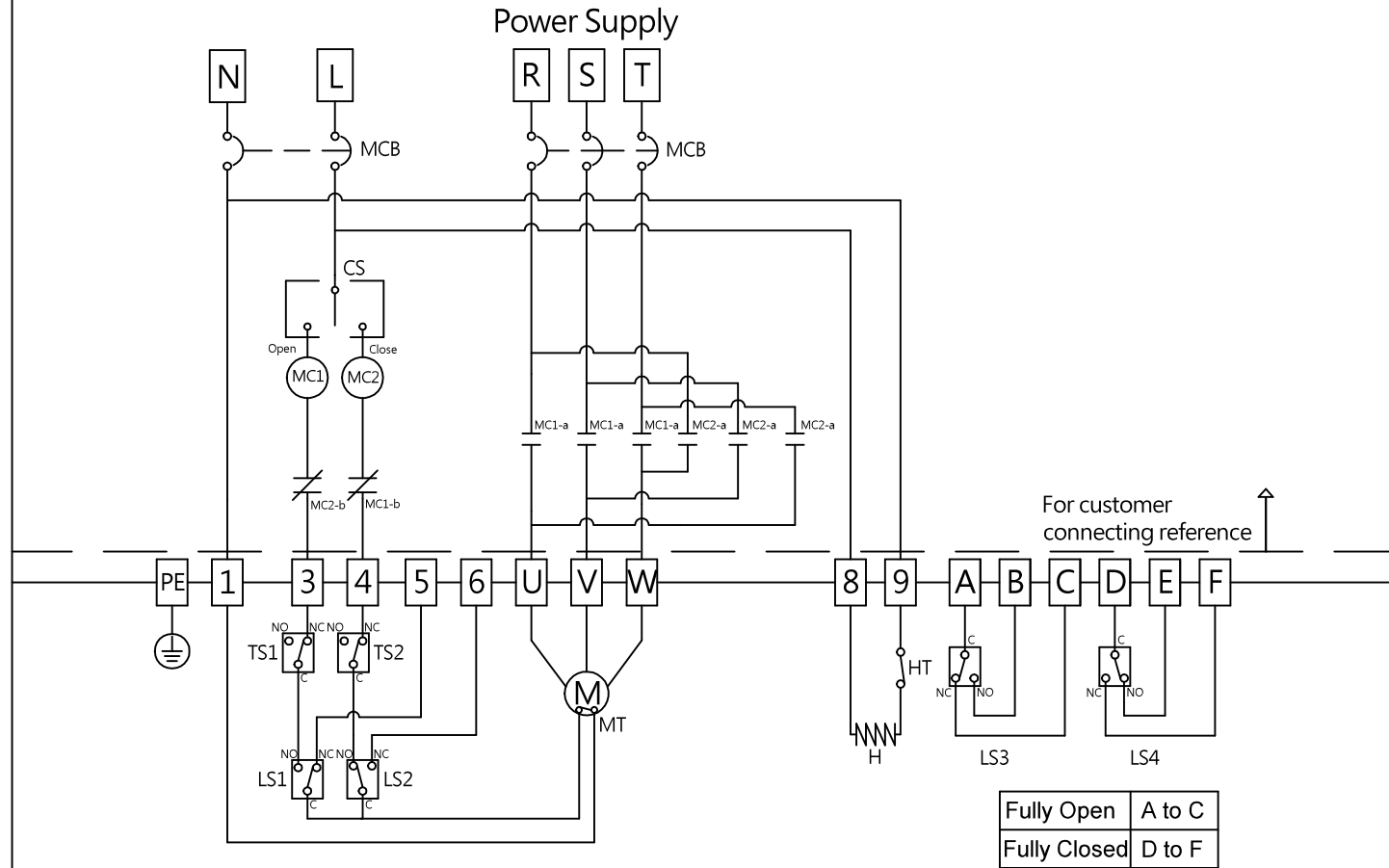


Note:

- (1). BM2 could not install torque switches.
- (2). Using the hand-wheel to turn the actuator to 45 degree before test.(If the operating direction is opposite, please change any two of R, S, T).
- (3). The terminal block "A B C D E F" needs to use resistive load and should not exceed 5A at 250VAC.



Fully Open	A to C
Fully Closed	D to F

ACTUATOR

- LS3, 4 -- Limit Switch (Option).
- H -- Heater (Option).
- HT--Heater Thermostat (Option).
- TS -- Torque Switch (Option).

Wiring Diagram NO: 01-030-18-03-02-01-3-001

Rev	1.2	Signature	Date	OM2~OM13、OMF、OMG、OMH、BM2
Designed				Power Supply: 220~240VAC 3-Phase
Drawn	Ming Hung	2021/06/22		Floating Control
Checked	Ming Hung	2021/06/22		30% Duty Cycle
Approved				



SUN YEH ELECTRICAL IND. CO., LTD.
 TEL: +886-4-2698-5666
 FAX: +886-4-2698-1188