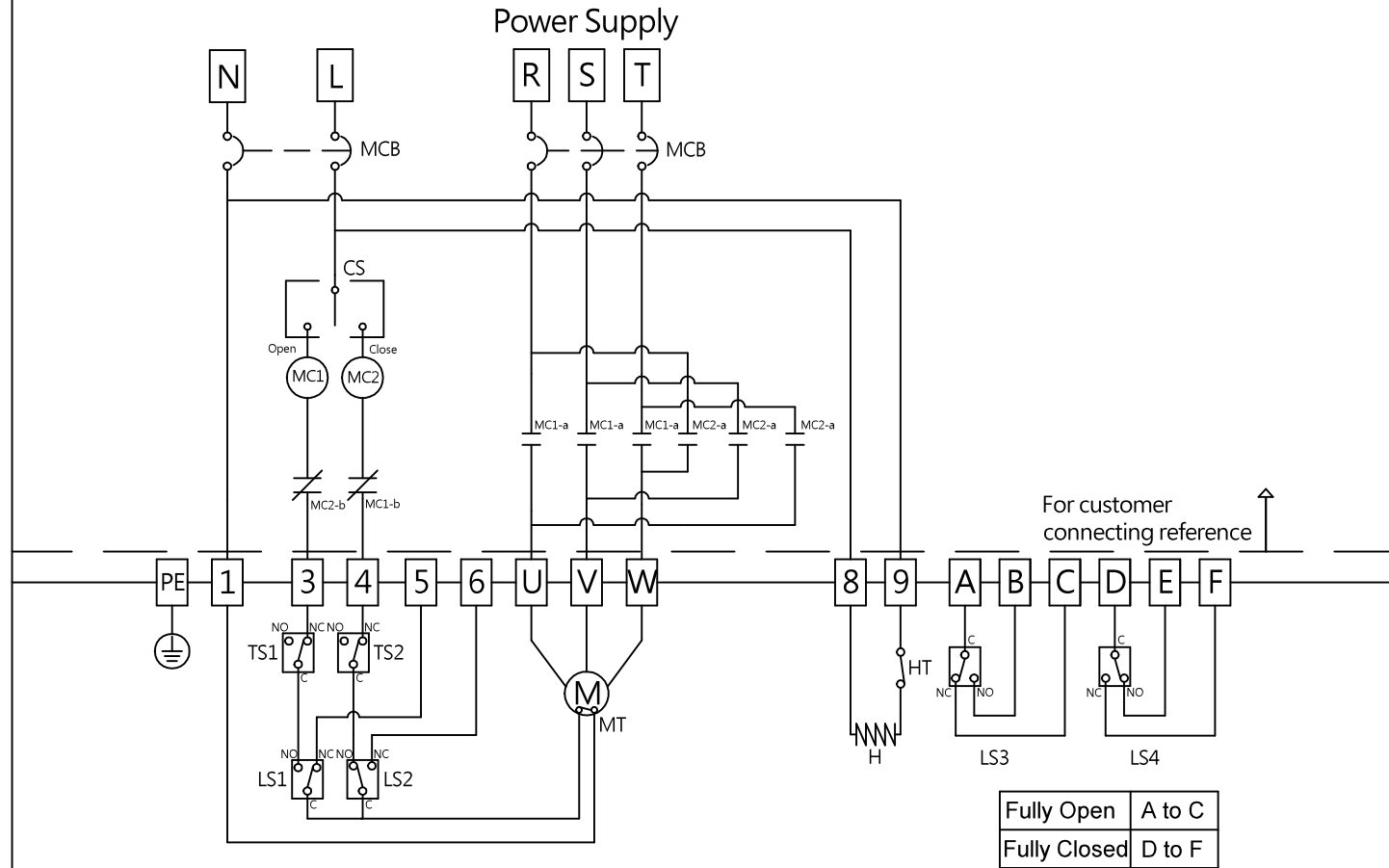


Note:

- (1). BM2 could not install torque switches.
- (2). Using the hand-wheel to turn the actuator to 45 degree before test.(If the operating direction is opposite, please change any two of R, S, T).
- (3). The terminal block "A B C D E F" needs to use resistive load and should not exceed 5A at 250VAC.



ACTUATOR

- LS3, 4 -- Limit Switch (Option).
- H -- Heater (Option).
- HT--Heater Thermostat (Option).
- TS -- Torque Switch (Option).

Wiring Diagram NO: 01-030-21-03-02-01-3-001

Rev	1.2	Signature	Date	OM2~OM13、OMF、OMG、OMH、BM2 Power Supply: 440~480VAC 3-Phase Floating Control 30% Duty Cycle
Designed				
Drawn	Ming Hung	2021/06/22		
Checked	Ming Hung	2021/06/22		
Approved				



SUN YEH ELECTRICAL IND. CO., LTD.  
TEL: +886-4-2698-5666  
FAX: +886-4-2698-1188