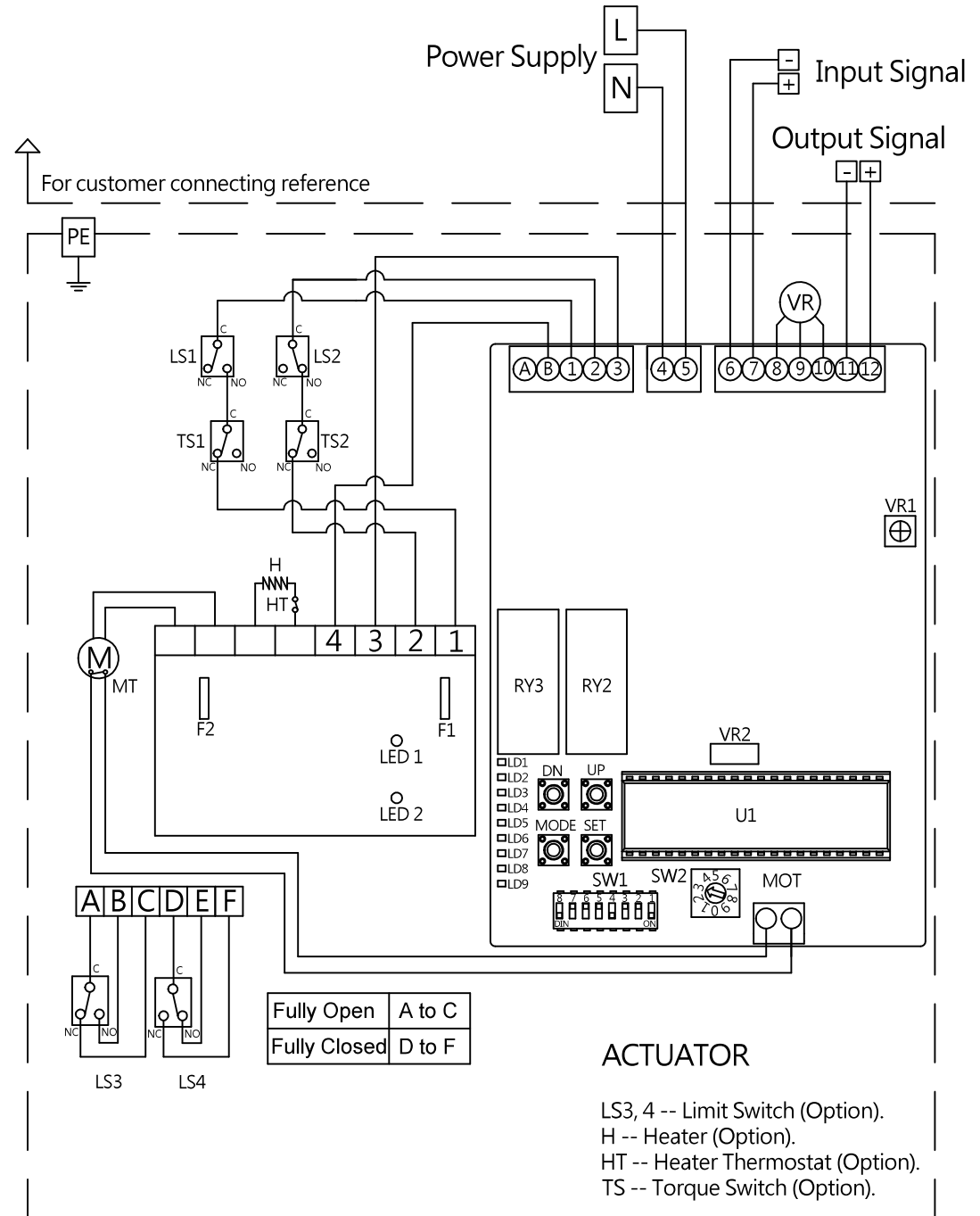


Note:

- (1). Modulating Board  
 Input Signal : 4~20mA, 1~5V, 2~10V.  
 (it is suggested to use the shielding wire and its length should not exceed 30m)  
 Output Signal : 4~20mA, 2~10V.
- (2). Using less than 5A current for "A,B,C,D,E,F".



Wiring Diagram NO: 01-027-18-02-03-04-3-001

Rev	1.0	Signature	Date	OM2~OM8 · OMH_75% Duty Cycle
Designed				OM9~OM13_50% Duty Cycle
Drawn		MING YU	2018/08/15	Power Supply : 220~240VAC 1-Phase
Checked		Ming Hung	2018/09/01	Modulating Control
Approved				



SUN YEH ELECTRICAL IND. CO., LTD.  
 TEL: +886-4-2698-5666  
 FAX: +886-4-2698-1188