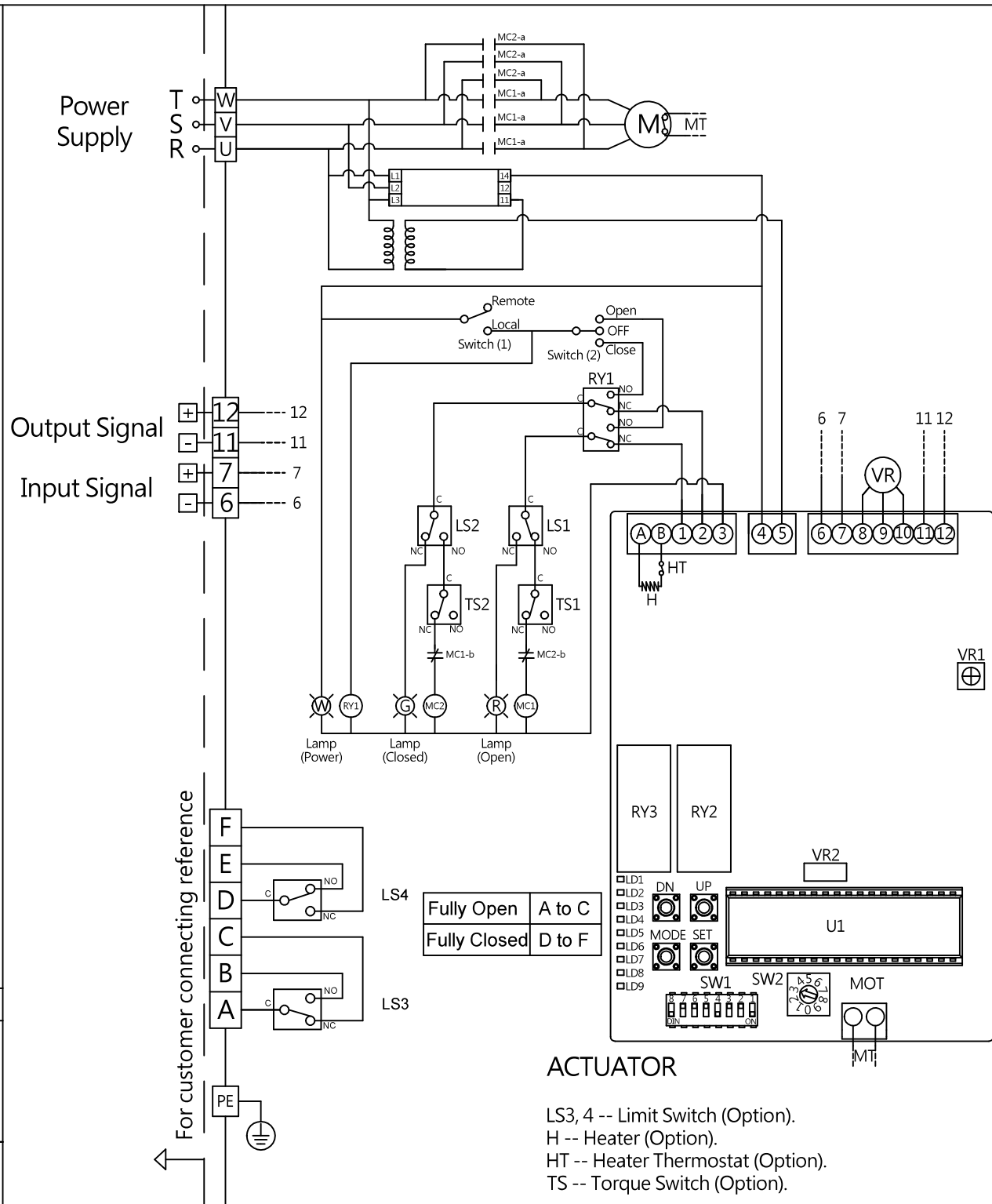


Note:

- (1). You may change any two phases of R S T, when the power lamp is off.
- (2). Modulating Board
Input Signal : 4~20mA, 1~5V, 2~10V.
(It is suggested to use the shielding wire and its length should not exceed 30m)
Output Signal : 4~20mA, 2~10V.
- (3). Local / Remote Switches
Select "Remote" : Controlled by signal.
Select "Local" : Controlled by switch (2).
- (4). The terminal block "A B C D E F" needs to use resistive load and should not exceed 5A at 250V.



Wiring Diagram NO: 01-027-18-03-06-01-3-001

Rev	1.1	Signature	Date	OM2~OM13 · OMH
Designed				Power Supply : 220~240VAC 3-Phase
Drawn	Ming Hung	2020/12/11		Modulating Control With Local Control Unit
Checked	Ming Hung	2020/12/11		30% Duty Cycle
Approved				



SUN YEH ELECTRICAL IND. CO., LTD.
TEL: +886-4-2698-5666
FAX: +886-4-2698-1188

ACTUATOR

- LS3, 4 -- Limit Switch (Option).
- H -- Heater (Option).
- HT -- Heater Thermostat (Option).
- TS -- Torque Switch (Option).