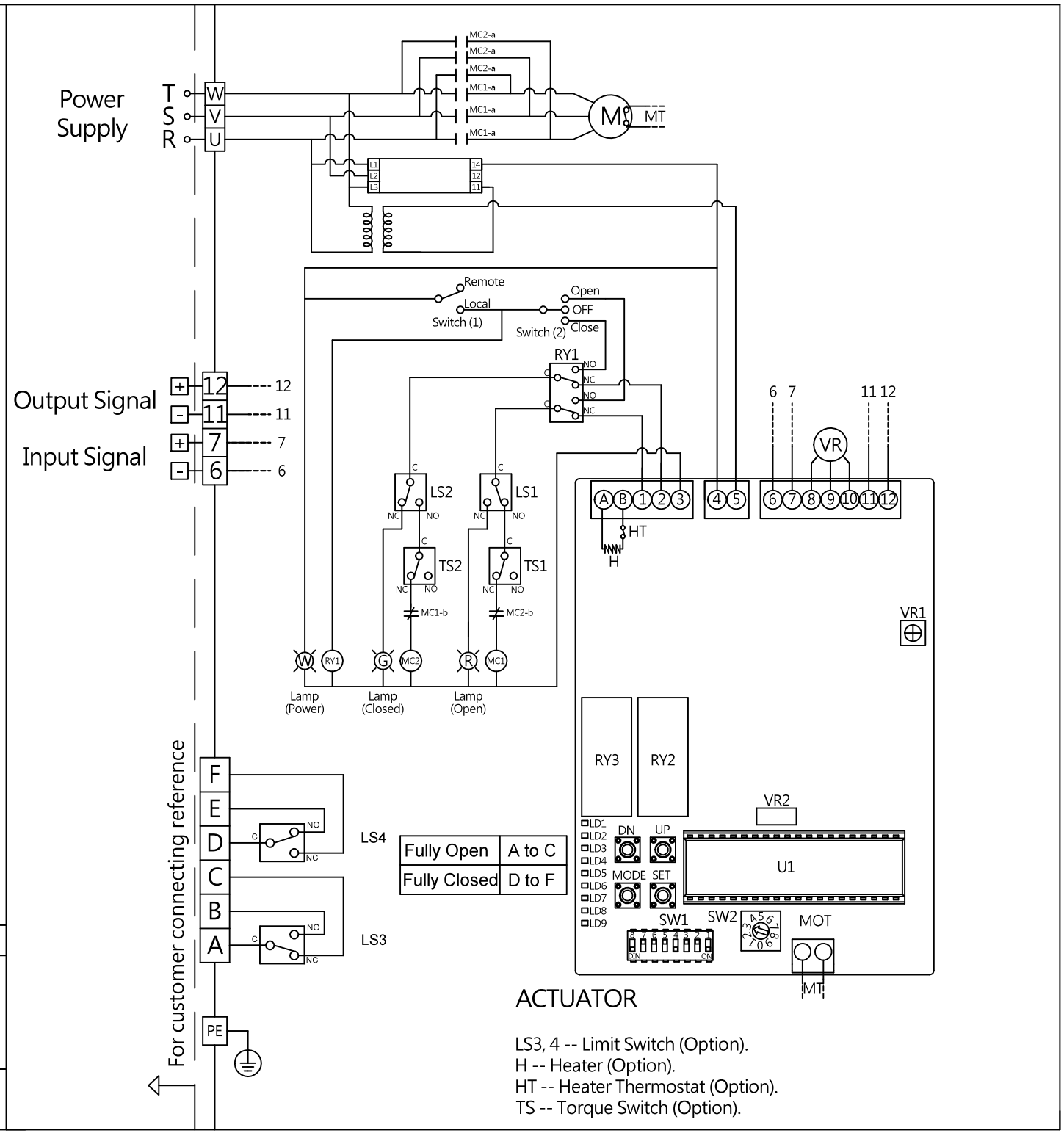


Note:

- (1). You may change any two phases of R S T, when the power lamp is off.
- (2). Modulating Board  
Input Signal : 4~20mA, 1~5V, 2~10V.  
(It is suggested to use the shielding wire and its length should not exceed 30m)  
Output Signal : 4~20mA, 2~10V.
- (3). Local / Remote Switches  
Select "Remote" : Controlled by signal.  
Select "Local" : Controlled by switch (2).
- (4). The terminal block "A B C D E F" needs to use resistive load and should not exceed 5A at 250V.



Wiring Diagram NO: 01-027-21-03-06-01-3-001

Rev	1.1	Signature	Date	OM2~OM13 · OMH
Designed				Power Supply : 440~480VAC 3-Phase
Drawn	Ming Hung	2020/12/11		Modulating Control With Local Control Unit
Checked	Ming Hung	2020/12/11		30% Duty Cycle
Approved				



SUN YEH ELECTRICAL IND. CO., LTD.  
 TEL: +886-4-2698-5666  
 FAX: +886-4-2698-1188