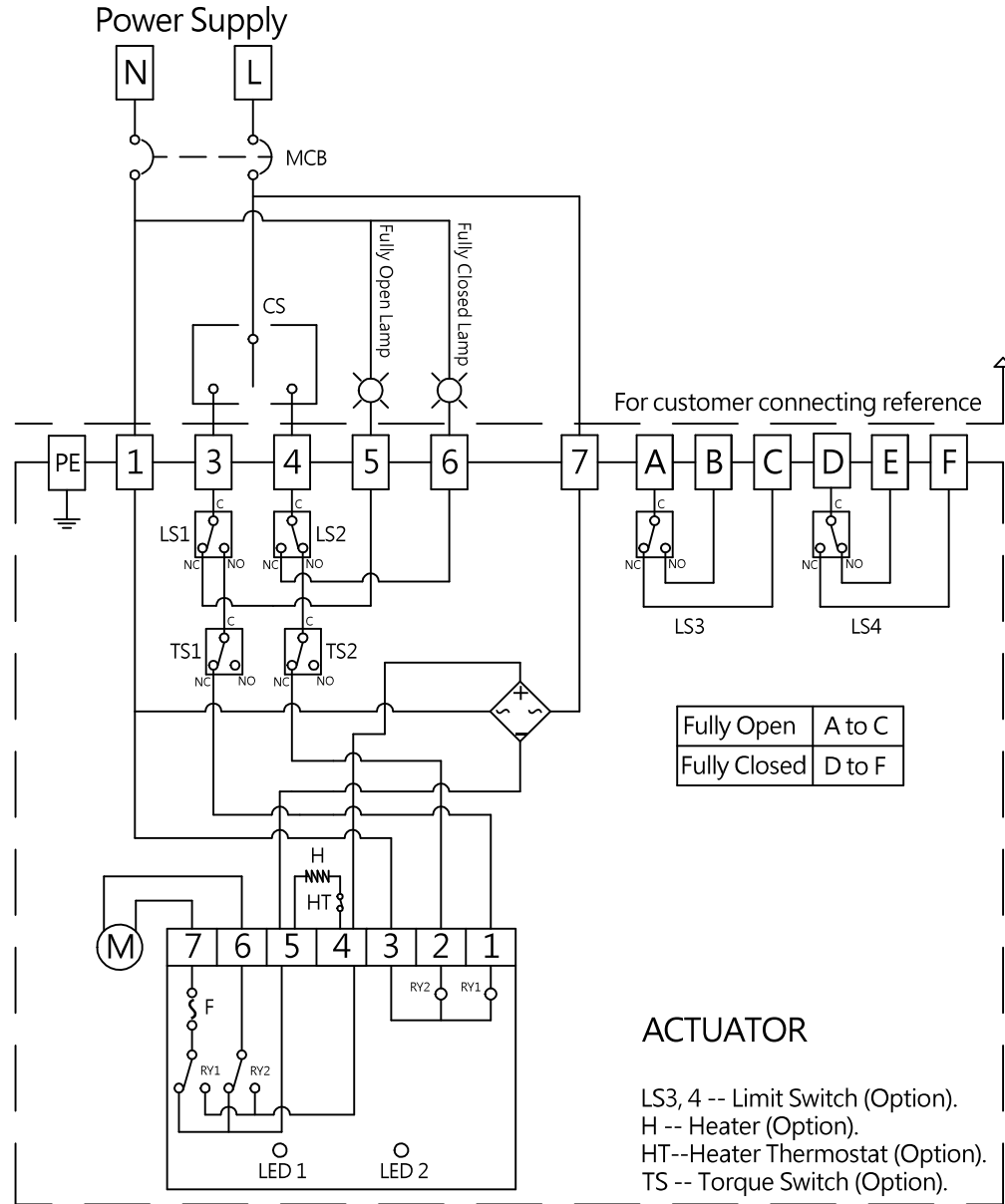


Note:

- (1). "N" connects to 1, "L" connects to 7.
- (2). "L" connects to 3 for "OPEN", "L" connects to 4 for "CLOSE".
- (3). Using less than 5A current for "A,B,C,D,E,F".
- (4). Please wire terminal 7 as it is the power source for both power board and heater; otherwise, the actuator will not operate.



Wiring Diagram NO: 01-032-01-02-02-03-1-001

Rev	1.0	Signature	Date	OM2~OM6 · OMH Power Supply : 12VAC 1-Phase Floating Control 75% Duty Cycle
Designed				
Drawn	Guan Wei	2018/08/02		
Checked	Ming Hung	2018/09/01		
Approved				



SUN YEH ELECTRICAL IND. CO., LTD.
TEL: +886-4-2698-5666
FAX: +886-4-2698-1188