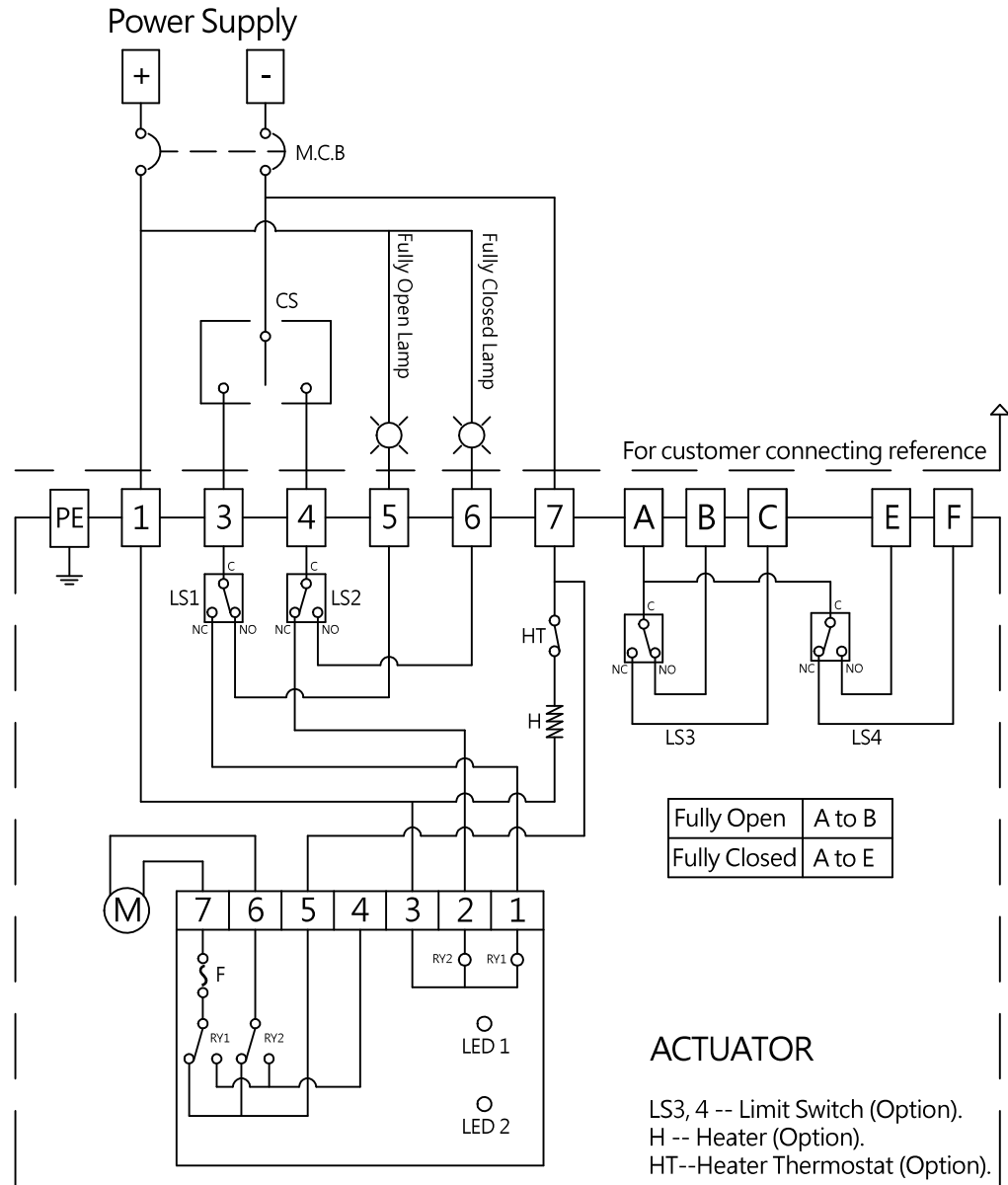


Note:

- (1). "+" connects to 1, "-" connects to 7.
- (2). "-" connects to 3 for "OPEN", "-" connects to 4 for "CLOSE".
- (3). Using less than 3A current for "A,B,C,E,F".
- (4). Using battery to supply power for DC units.
- (5). Please wire terminal 7 as it is the power source for both power board and heater; otherwise, the actuator will not operate.



Wiring Diagram NO: 01-020-01-01-02-03-1-001

Rev	1.0	Signature	Date
Designed			
Drawn	Guan Wei	2018/08/02	
Checked	Ming Hung	2018/09/01	
Approved			

OM1 · OMA · OMAM
Power Supply : 12VDC
Floating Control
75% Duty Cycle



SUN YEH ELECTRICAL IND. CO., LTD.
TEL: +886-4-2698-5666
FAX: +886-4-2698-1188