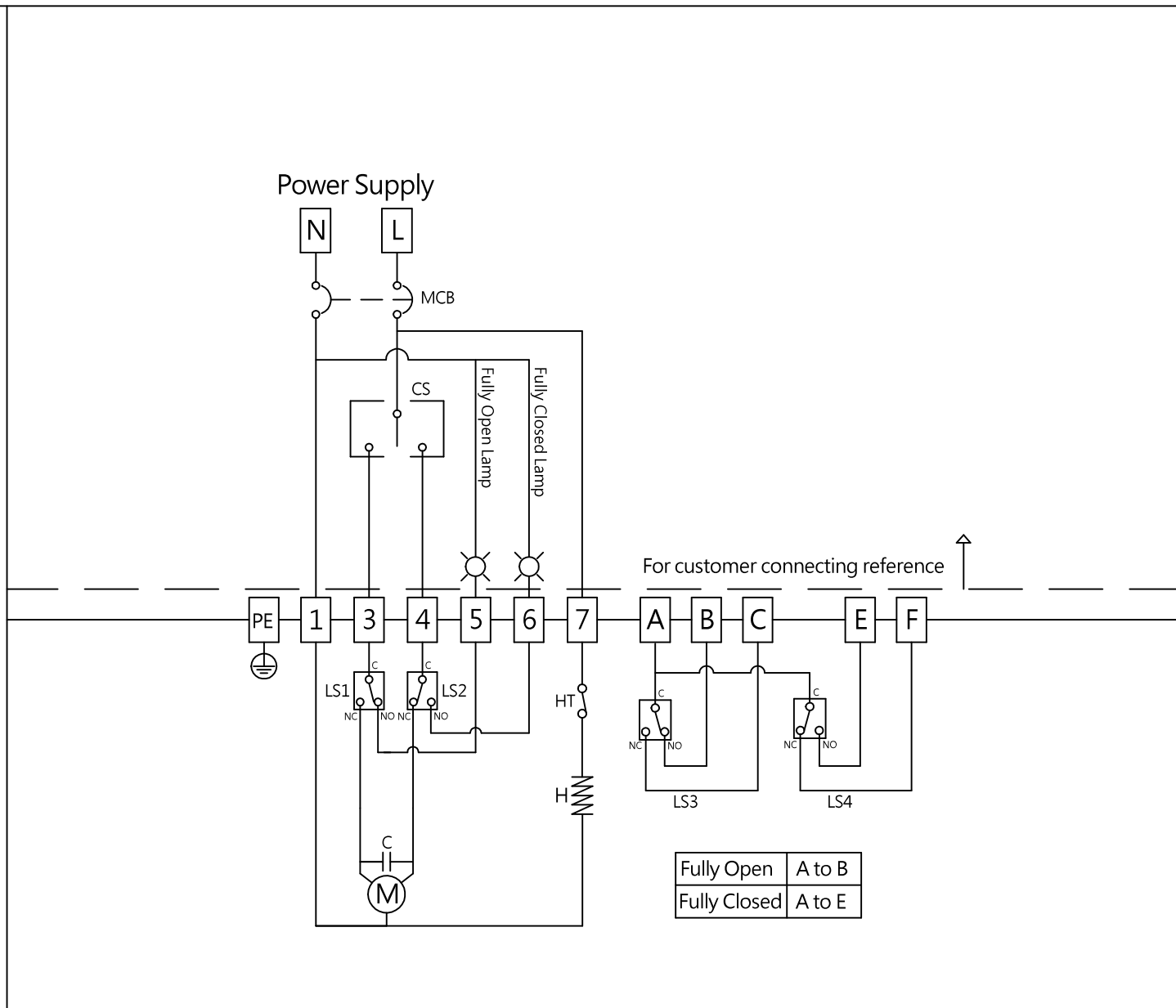


Note:

- (1). "N" connects to terminal 1.
"L" connects to terminal 7.
- (2). "L" connects to terminal 3 for "OPEN",
"L" connects to terminal 4 for "CLOSE".
- (3). The terminal block "A~F" needs to use resistive load and should not exceed 3A at 250V.
- (4). Do not parallel wire multiple actuators together without using an extra relay. Otherwise, please add Isolating Relay Module into actuator.

Symbol	Contact	Position	
		Fully Open(CCW)	Fully Closed(CW)
LS2	COM-NC	-----●-----	-----●-----
LS2	COM-NO	-----●-----	-----●-----
LS4	COM-NC	-----●-----	-----●-----
LS4	COM-NO	-----●-----	-----●-----
LS1	COM-NC	-----●-----	-----●-----
LS1	COM-NO	-----●-----	-----●-----
LS3	COM-NC	-----●-----	-----●-----
LS3	COM-NO	-----●-----	-----●-----



Wiring Diagram NO: 01-020-18-02-02-01-3-001

Rev	1.1	Signature	Date	OMI、OMA、OMAM Power Supply: 220~240VAC 1-Phase Floating Control 30% Duty Cycle
Designed				
Drawn	Ming Hung	2021/08/26		
Checked	Ming Hung	2021/08/26		
Approved				



SUN YEH ELECTRICAL IND. CO., LTD.
 TEL: +886-4-2698-5666
 FAX: +886-4-2698-1188

ACTUATOR

- LS3, 4 -- Limit Switch (Option).
- H -- Heater (Option).
- HT--Heater Thermostat (Option).
- MCB -- Miniature Circuit Breaker.
- CS -- Selector Switch.
- M -- Motor.
- C -- Capacitor.