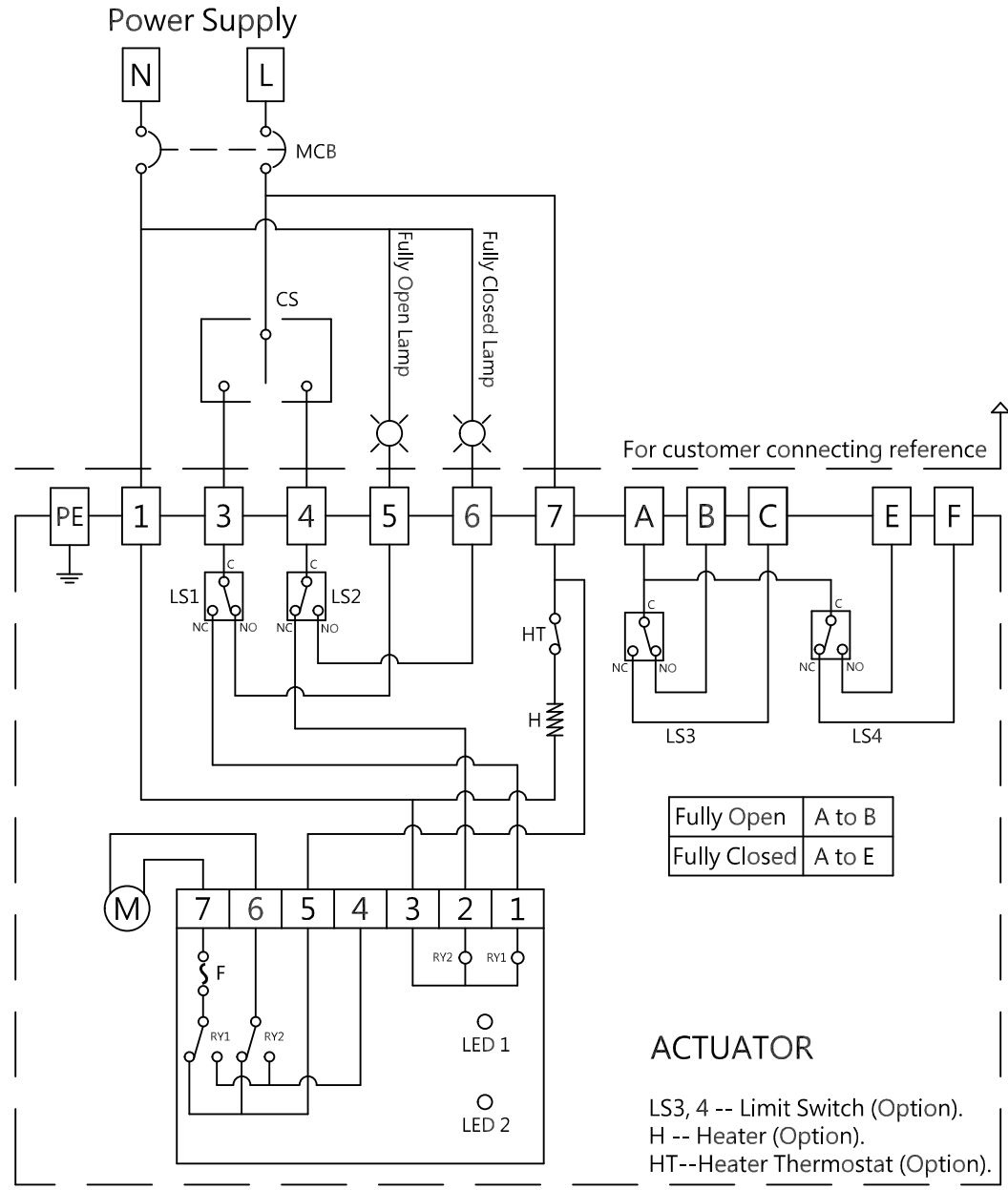


Note:

- (1). "N" connects to 1, "L" connects to 7.
- (2). "L" connects to 3 for "OPEN", "L" connects to 4 for "CLOSE".
- (3). Using less than 3A current for "A,B,C,E,F".



Wiring Diagram NO: 06-011-01-02-02-03-2-001

Rev	1.0	Signature	Date	OME1、OMEA、OMEAM Power Supply : 12VAC 1-Phase Floating Control 75% Duty Cycle
Designed				
Drawn	NING YU	2018/09/03		
Checked	Ming Hung	2018/09/03		
Approved				