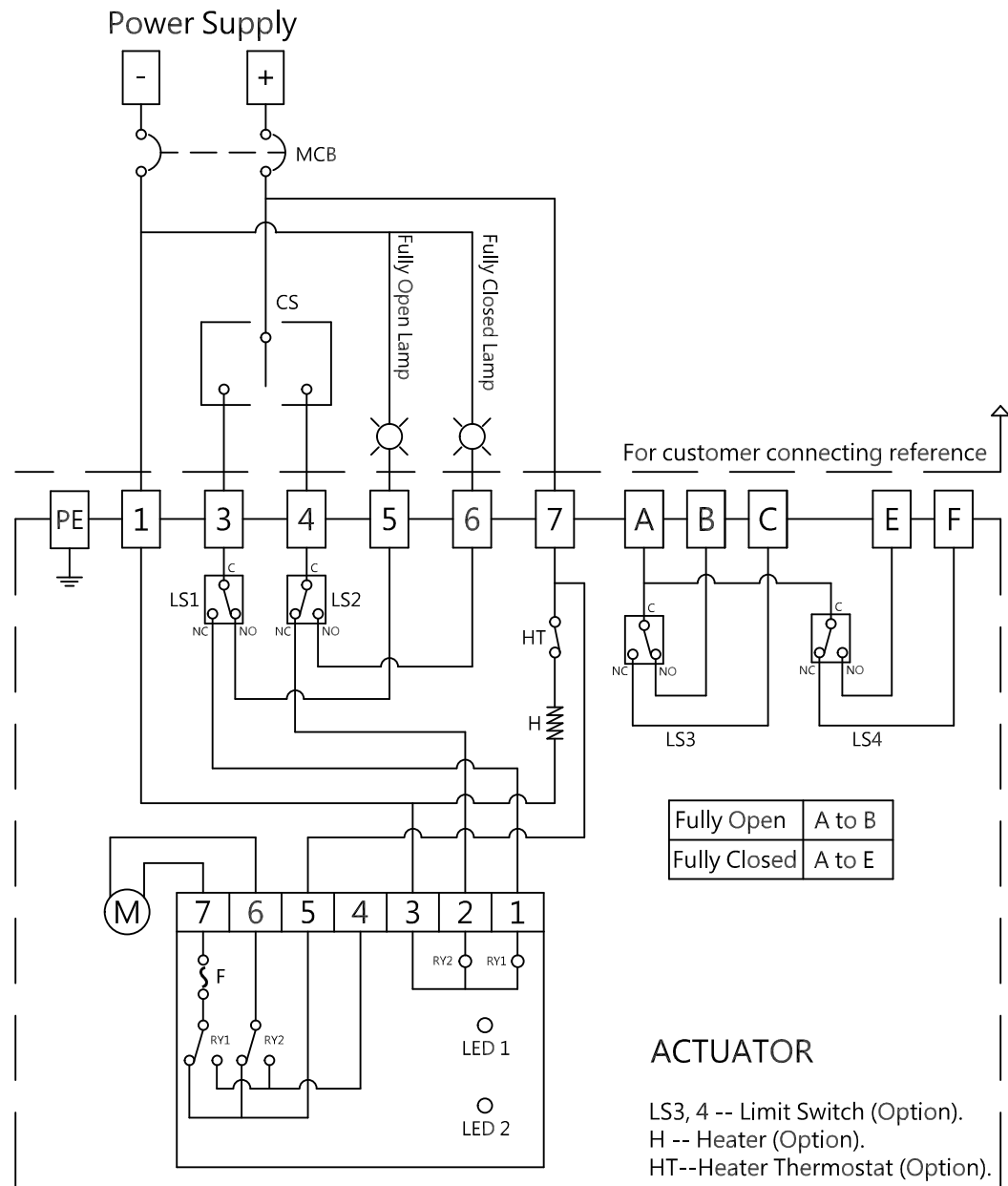


Note:

- (1). "-" connects to 1, "+" connects to 7.
- (2). "+" connects to 3 for "OPEN", "+" connects to 4 for "CLOSE".
- (3). Using less than 3A current for "A,B,C,E,F".
- (4). Using battery to supply power for DC units.



Wiring Diagram NO: 06-011-01-01-02-03-2-001

Rev	1.0	Signature	Date	OME1 · OMEA · OMEAM Power Supply : 12VDC Floating Control 75% Duty Cycle
Designed				
Drawn	MING YU	2018/09/03		
Checked	Ming Hung	2018/09/03		
Approved				