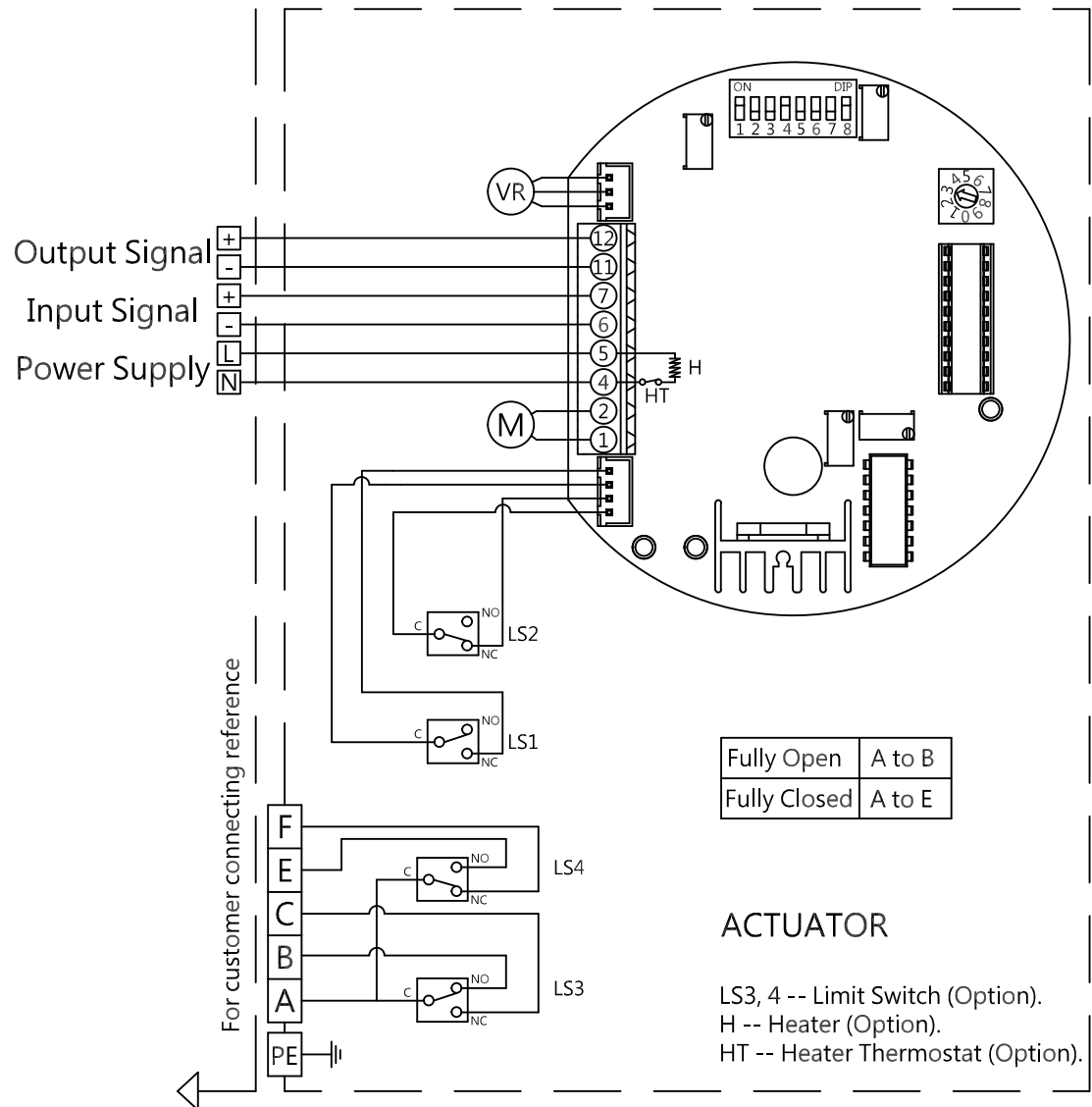


Note:

- (1). Modulating Board
 Input Signal : 4~20mA, 1~5V, 2~10V.
 (it is suggested to use the shielding wire and its length should not exceed 30m)
 Output Signal : 4~20mA, 2~10V.
- (2). Using less than 3A current for "A,B,C,E,F".



Wiring Diagram NO: 06-011-17-02-03-03-3-001

| | | | | |
|----------|-----------|------------|------|--|
| Rev | 1.0 | Signature | Date | OME1 · OMEA · OMEAM Power Supply : 110~120VAC 1-Phase Modulating Control 75% Duty Cycle |
| Designed | | | | |
| Drawn | MING YU | 2018/09/03 | | |
| Checked | Ming Hung | 2018/09/03 | | |
| Approved | | | | |