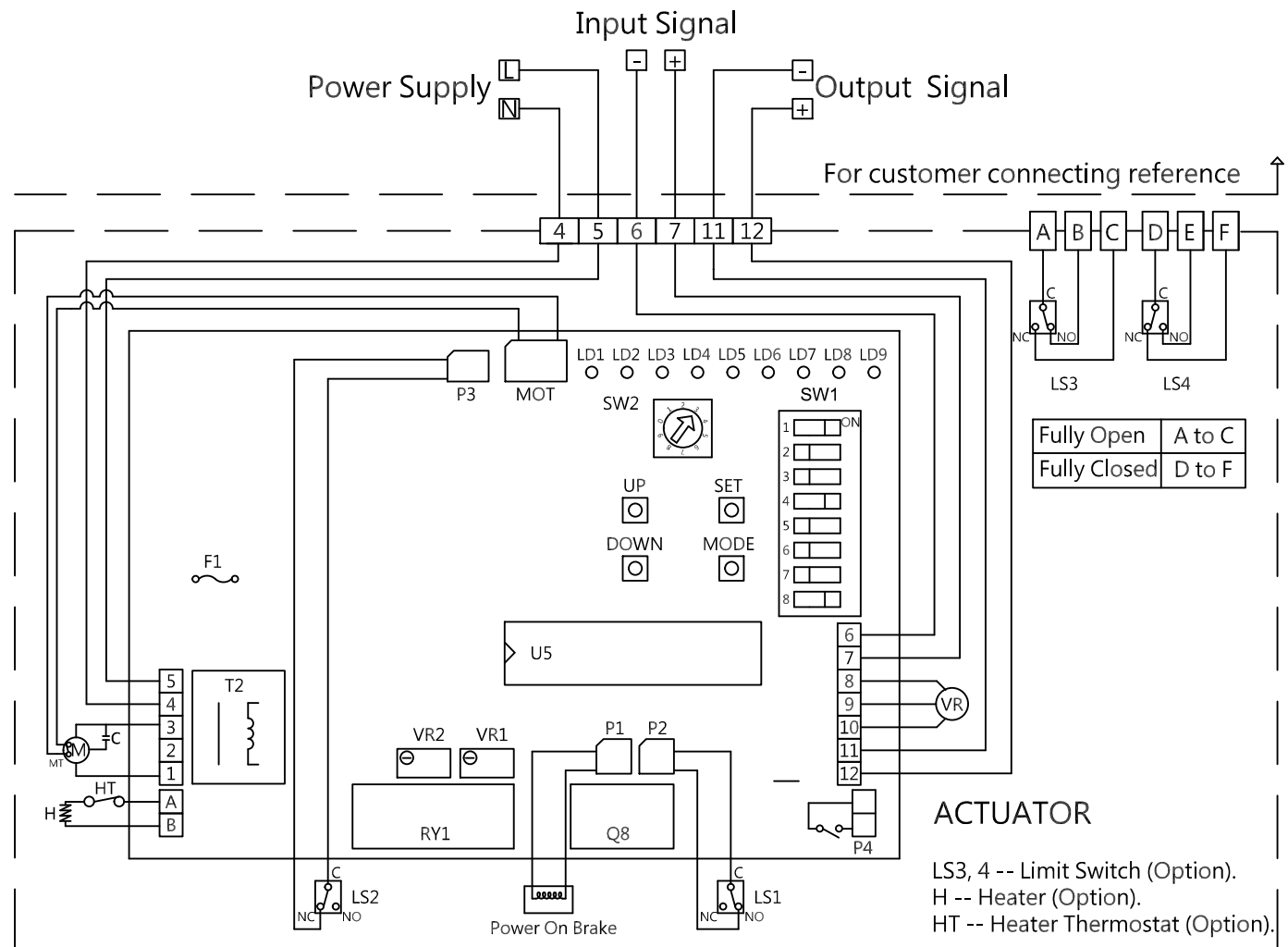


- Note:
- (1). Input Signal: 4~20mA, 2~10V, 1~5V.
 - (2). Output Signal: 4~20mA, 2~10V.
 - (3). Using less than 5A current for "A,B,C,D,E,F".
 - (4). P4 will come on when the actuator doesn't operate after 15sec.



ACTUATOR

LS3, 4 -- Limit Switch (Option).
 H -- Heater (Option).
 HT -- Heater Thermostat (Option).

Wiring Diagram NO: 07-001-18-02-03-02-3-001

Rev	1.0	Signature	Date	SE500 Power Supply : 220~240VAC 1-Phase Modulating Control 50% Duty Cycle
Designed				
Drawn	Wen Yao	2018/08/02		
Checked	Ming Hung	2018/08/15		
Approved				