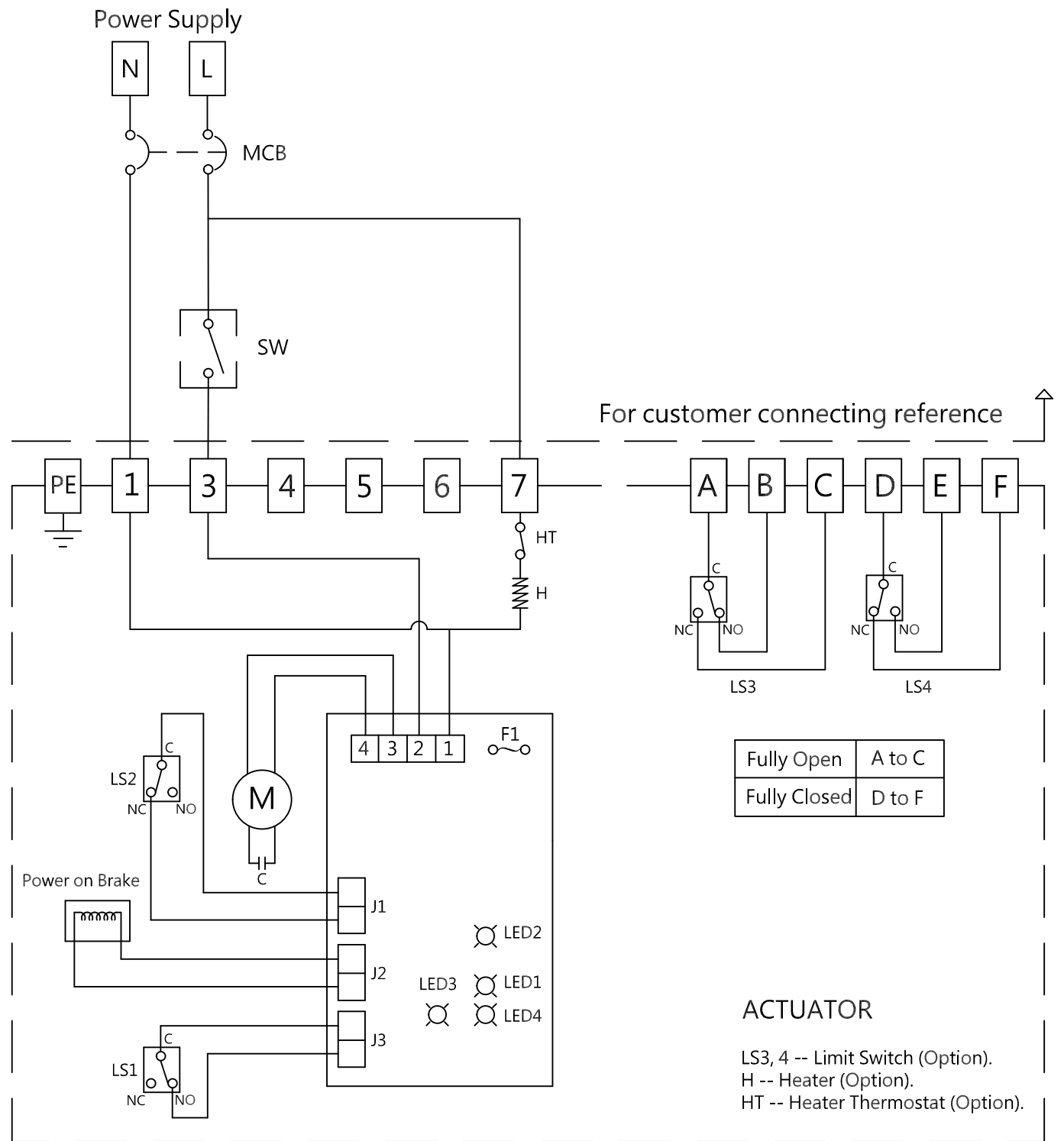


Note:

- "N" connects to 1, "L" connects to 3.
"L" connects to 7 for Heater (Option).
- SW comes On for "OPEN".
SW comes Off for "CLOSE".
- Using less than 5A current for "A,B,C,D,E,F".



Wiring Diagram NO: 07-006-18-02-01-02-3-001

Rev	1.0	Signature	Date	SE1300 · SE2000 · SE2600
Designed				Power Supply : 220~240VAC 1-Phase
Drawn	Wen Yao	2018/08/02		ON/OFF Control
Checked	Ming Hung	2018/08/15		50% Duty Cycle
Approved				