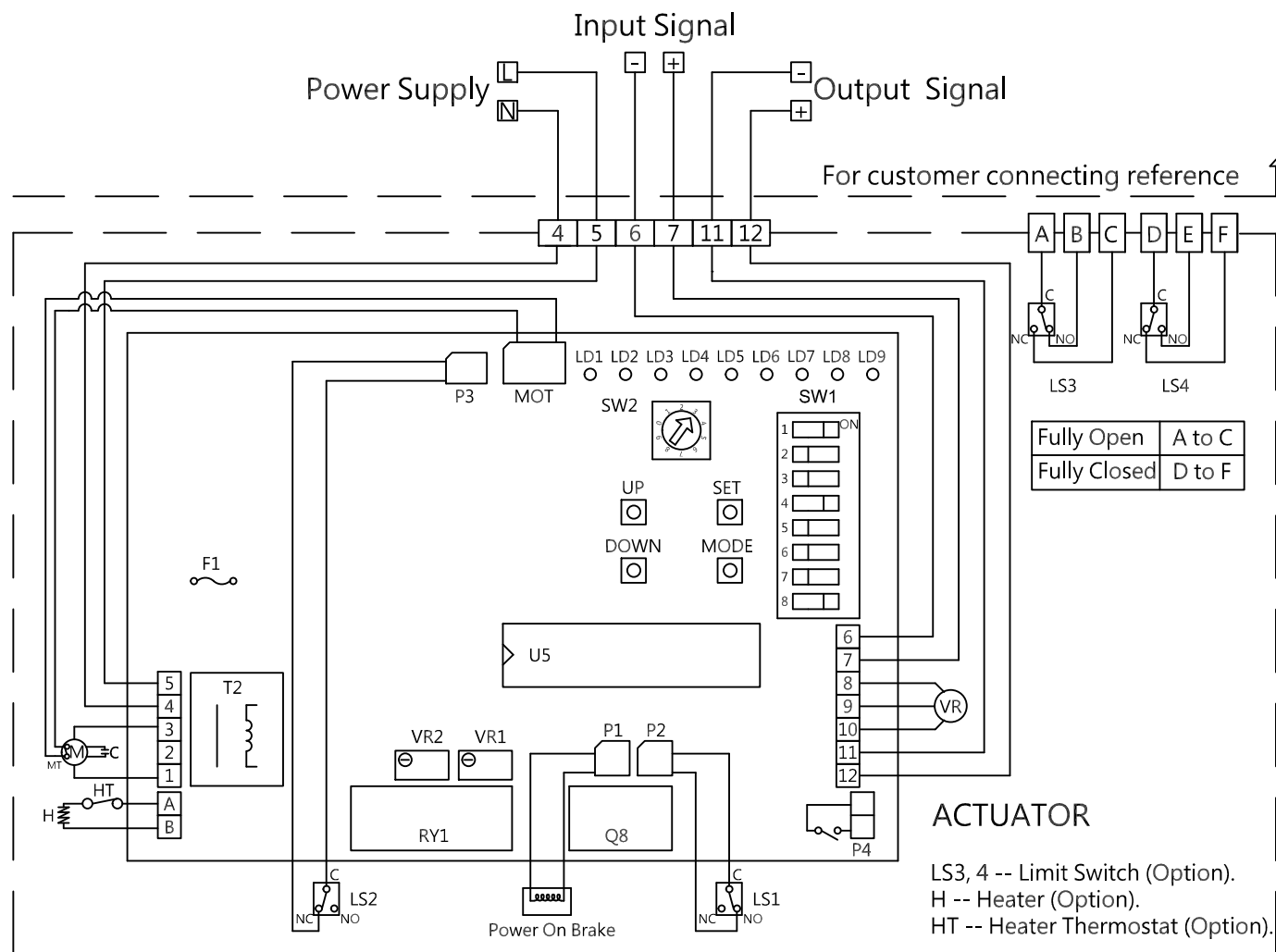


Note:

- (1). Input Signal: 4~20mA, 2~10V, 1~5V.
- (2). Output Signal: 4~20mA, 2~10V.
- (3). Using less than 5A current for "A,B,C,D,E,F".
- (4). P4 will come on when the actuator doesn't operate after 15sec.



Wiring Diagram NO: 07-006-18-02-03-02-3-001

| | | | | |
|----------|-----|-----------|------------|---|
| Rev | 1.0 | Signature | Date | SE1300 · SE2000 · SE2600 Power Supply : 220~240VAC 1-Phase Modulating Control 50% Duty Cycle |
| Designed | | | | |
| Drawn | | Wen Yao | 2018/08/02 | |
| Checked | | Ming Hung | 2018/08/15 | |
| Approved | | | | |



SUN YEH ELECTRICAL IND. CO., LTD.
 TEL: +886-4-2698-5666
 FAX: +886-4-2698-1188