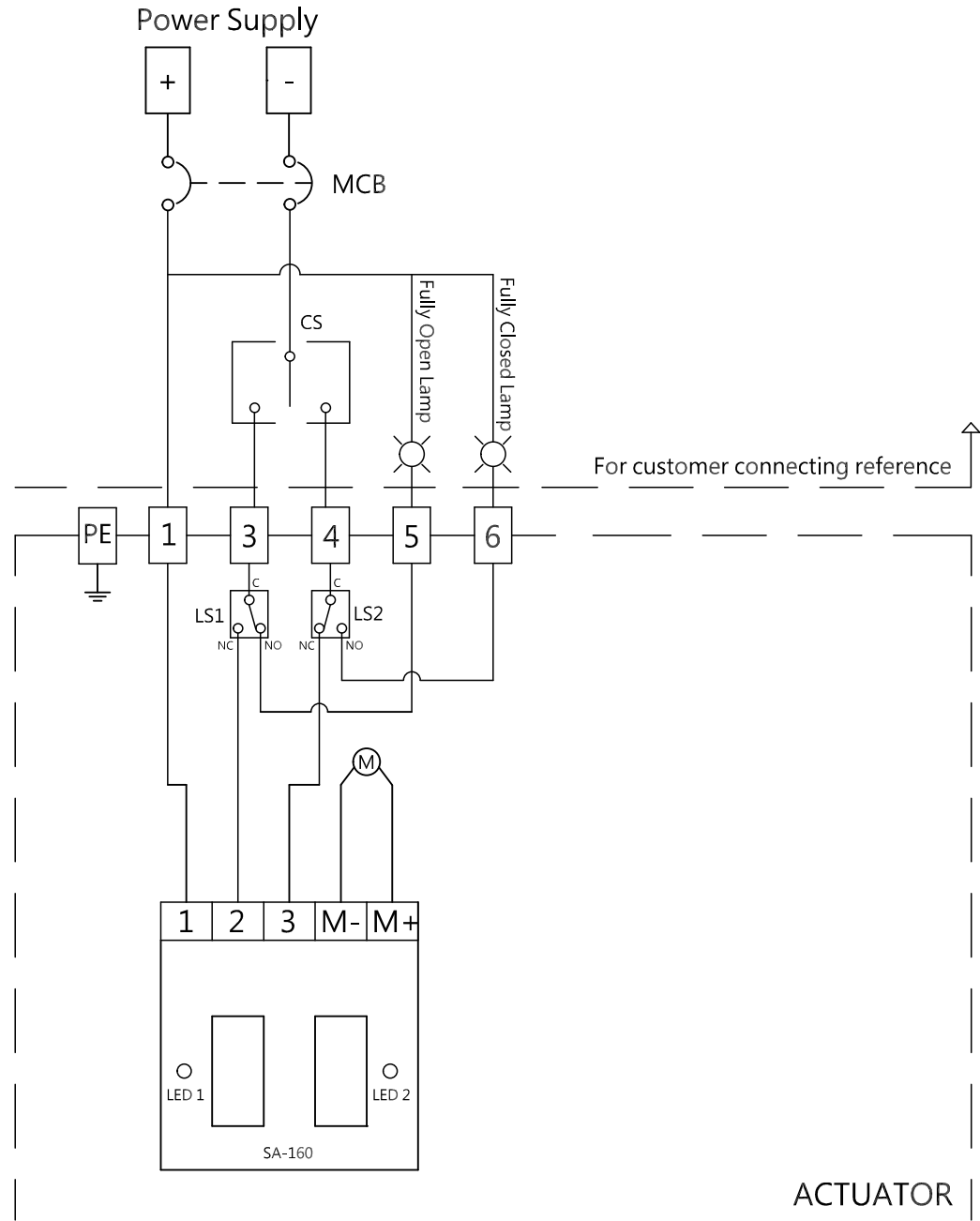


Note:

- (1). "+" connects to 1.
- (2). "-" connects to 3 for "OPEN", "-" connects to 4 for "CLOSE".



Wiring Diagram NO: 04-03-01-01-02-01-2-001

Rev	1.0	Signature	Date	T06 · T15
Designed				Power Supply : 12VDC
Drawn		Wen Yao	2018/08/02	Floating Control
Checked		Ming Hung	2018/08/15	30% Duty Cycle
Approved				

ACTUATOR