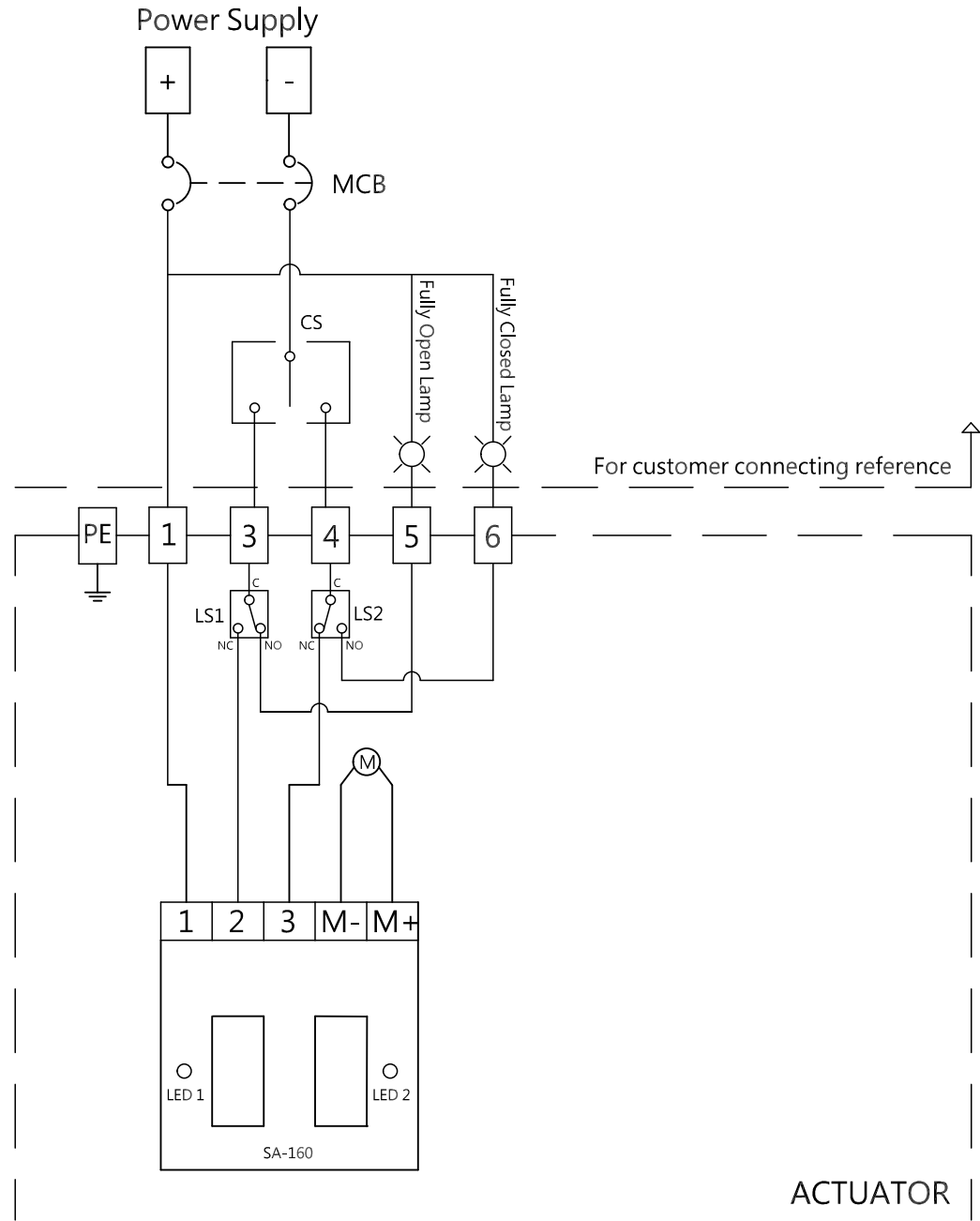


Note:

- (1). "+" connects to 1.
- (2). "-" connects to 3 for "OPEN", "-" connects to 4 for "CLOSE".



Wiring Diagram NO: 04-03-02-01-02-01-2-001

Rev	1.0	Signature	Date
Designed			
Drawn	Wen Yao	2018/08/02	
Checked	Ming Hung	2018/08/15	
Approved			

T06 · T15  
 Power Supply : 24VDC  
 Floating Control  
 30% Duty Cycle



SUN YEH ELECTRICAL IND. CO., LTD.  
 TEL: +886-4-2698-5666  
 FAX: +886-4-2698-1188

ACTUATOR