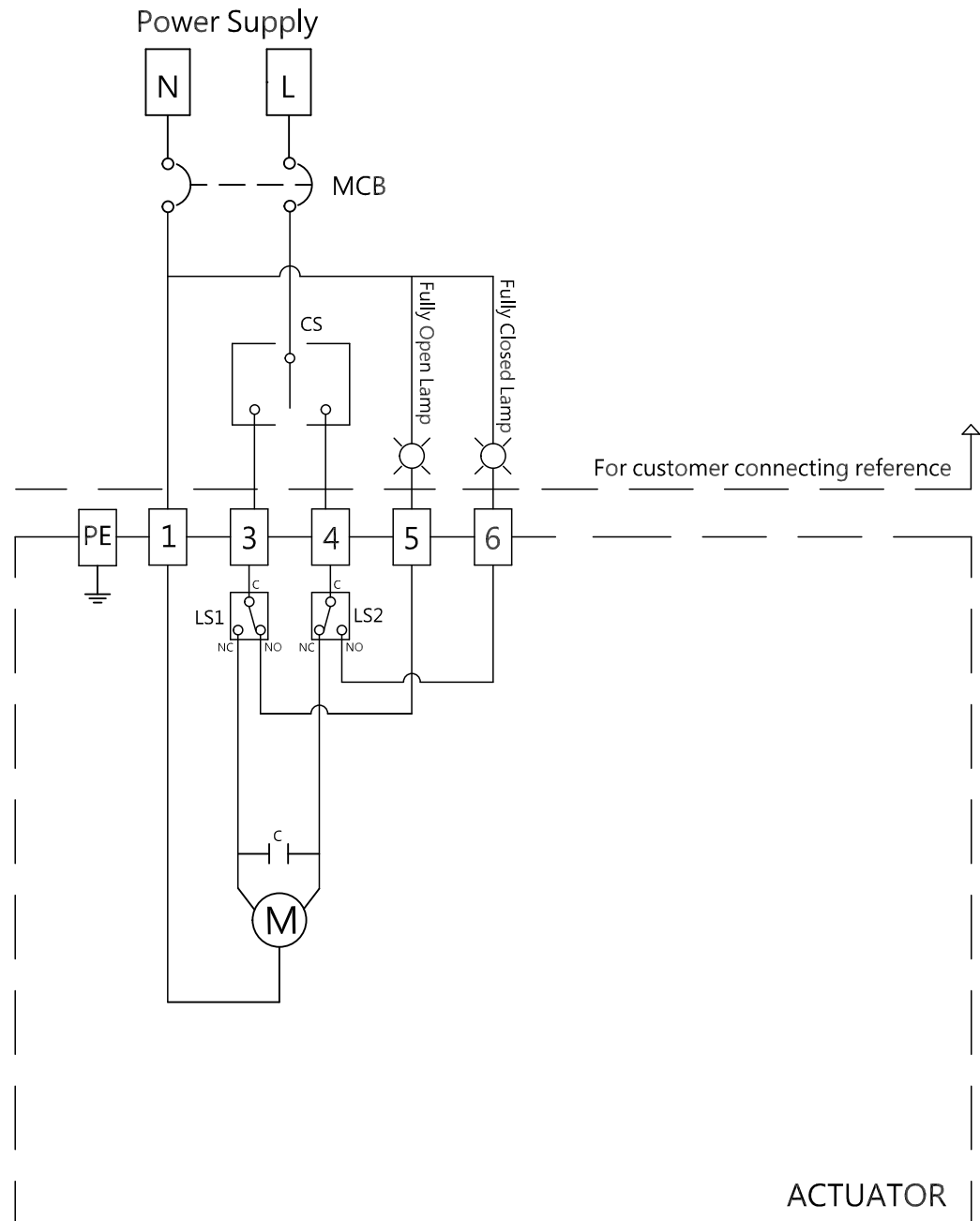


Note:

- (1). "N" connects to 1.
- (2). "L" connects to 3 for "OPEN", "L" connects to 4 for "CLOSE".



Wiring Diagram NO: 04-03-17-02-02-01-3-001

Rev	1.0	Signature	Date	T06 · T15
Designed				Power Supply : 110~120VAC 1-Phase
Drawn	Wen Yao	2018/08/02		Floating Control
Checked	Ming Hung	2018/08/16		30% Duty Cycle
Approved				

ACTUATOR